

SIEMENS

Ingenuity for life



BoltShield™ Surge Protective Devices

QSPD series for loadcentres

www.siemens.ca/powerdistribution

Surge Protective Devices (SPDs) provide the best protection from both externally and internally generated surges when located as close to the building distribution system as possible. For cost and space reasons many buildings only include one SPD located at the main incoming loadcentre and do not cascade SPDs throughout the building as recommended by IEEE. The new Siemens QSPD series of SPDs are economical and easy to install in most panels throughout a building so that whole facility protection can be obtained.

Features

- UL 1449 SPD Type 1*
- Monolithic distribution grade MOV
- Thermally protected MOV
- 65kA surge current protection per phase
- 20kA I-nominal ratings
- 200kA SCCR
- 10 year standard warranty
- Audible Alarm

*Type 1 SPDs suitable for use in Type 2 applications

Product specifications

General specifications	
Maximum surge current rating range	65kA per phase
UL Type designation	SPD Type 1*
UL 1449 I-nominal rating	20kA
UL 1449 short circuit current rating	200kA
Repetitive impulse	5,000 hits
Response time	<1 ns

Physical specifications		
Humidity range	0-95% non-condensing	
Operating frequency	0-415Hz	
Operating temperature	-25°C to +60°C	
Dimensions in inches (mm)	2 pole	3 (77.9) x 2 (50.4) x 2.6 (65.3)
	3 pole	3 (77.9) x 3 (75.2) x 2.6 (65.3)
Weight	2 pole	0.64 lbs (237 g)
	3 pole	0.71 lbs (335 g)
Neutral/ground connection		#14 AWG (pre-wired)

Diagnostic monitoring specifications	
Green/red visual mechanical flag failure indicators	
Flashing dual colour led (green/red) status indicator	
Audible alarm w/ silence switch/button	

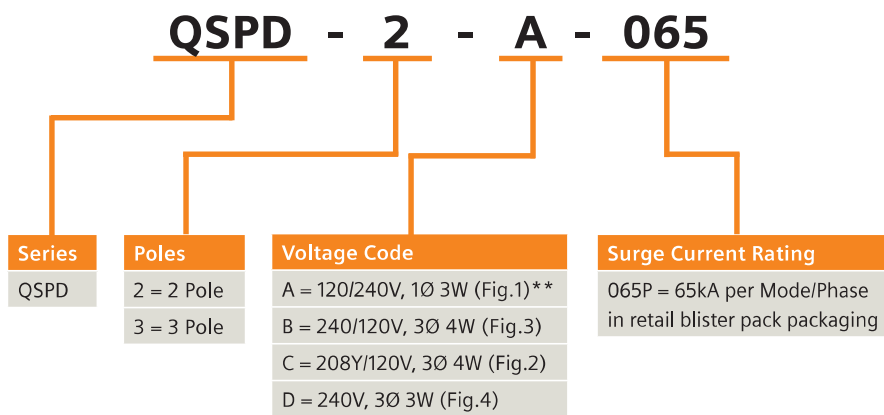
Design specifications	
Monolithic distribution grade MOV	
Integrated optimized thermal protection	
Fits in footprint of Siemens QP breaker	
Modes of protection (L-N or L-G, L-L)	

UL 1449 performance data and ordering information							
System voltage	L-N (L-G)	L-L	I _n	SCCR	MCOV	Catalog numbers	Siemens breaker form factor
120/240V, 1Ø, 3W**	600V	1000	20kA	200kA	150V	QSPD2A065P*	2-P, Type Q Plug-In
240/120V, 3Ø, 4W	600V/900V	1200	20kA	200kA	150V	QSPD3B065	3-P, Type Q Plug-In
208Y/120V, 3Ø, 4W	600V	1000	20kA	200kA	150V	QSPD3C065	3-P, Type Q Plug-In
240V, 3Ø, 3W	900V	1500	20kA	200kA	280V	QSPD3D065	3-P, Type Q Plug-In

*QSPD2A065P comes in retail style blister pack packaging.
 **Can also be used on 208Y/120V, 1Ø, 3W System.

Standards compliance and certifications
UL 1449 4th Edition, cUL, UL 96A compliant, ANSI/IEEE C62.41.1-2002, C62.41.2-2002, C62.45-2002, NEC Article 285
ISO 9001:2014 quality management system, ISO 17025:2007 laboratory certification (UL DAP Program) , 100% quality tested prior to shipping

Catalog number logic



**Can also be used on 208Y/120V, 1φ, 3W System

Benefits of installing multiple QSPDs

Adding multiple QSPDs in a single load center can increase the modes of protection and the surge capacity. See the Boltshield brochure for more details and review the example chart below:

Number of QSPDs	Connection	Modes of protection	Surge current capacity per mode	Surge current capacity per phase
1	Neutral	3	65kA	65kA
2	Neutral + Ground	6	65kA	130kA
2	Neutral	3	130kA	130kA
3	Neutral(2) + Ground(1)	6	130kA(L-N) + 65kA (L-G)	195kA
3	Ground	3	195kA	195kA
4	Neutral(2) + Ground(2)	6	130kA	260kA

Wiring configurations

Split

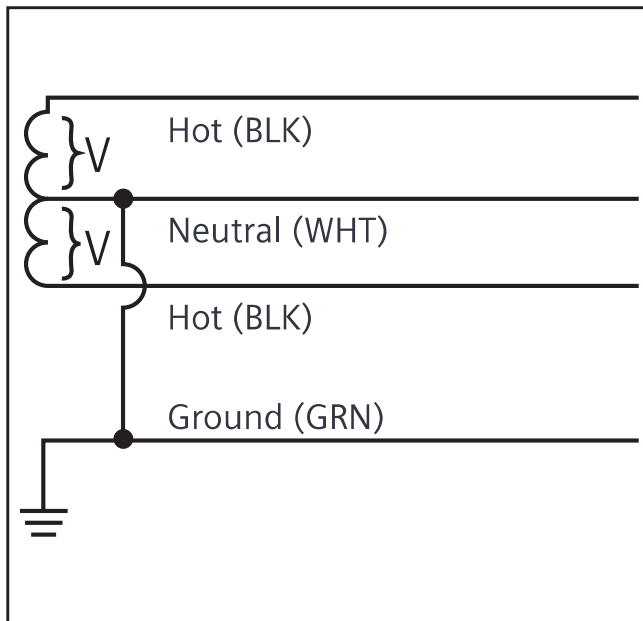


Figure 1

2 Hots, 1 Neu, 1 Grnd

WYE

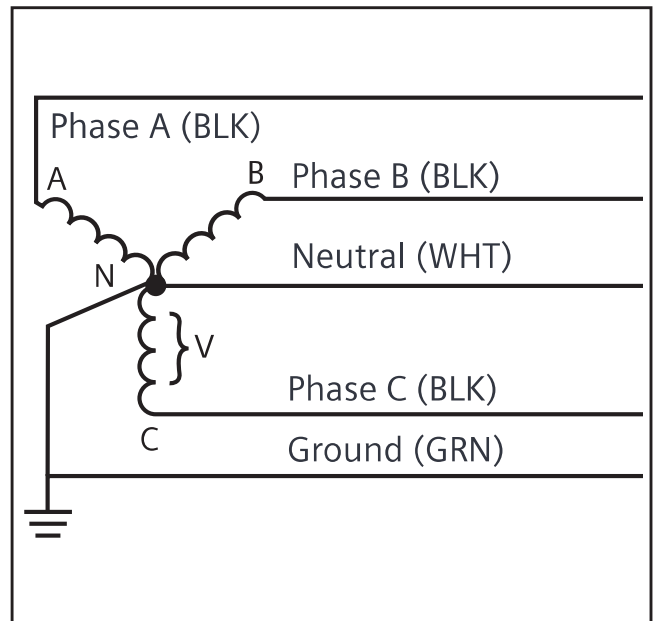


Figure 2

3 Hots, 1 Neu, 1 Grnd

Hi-Leg Delta (B High)

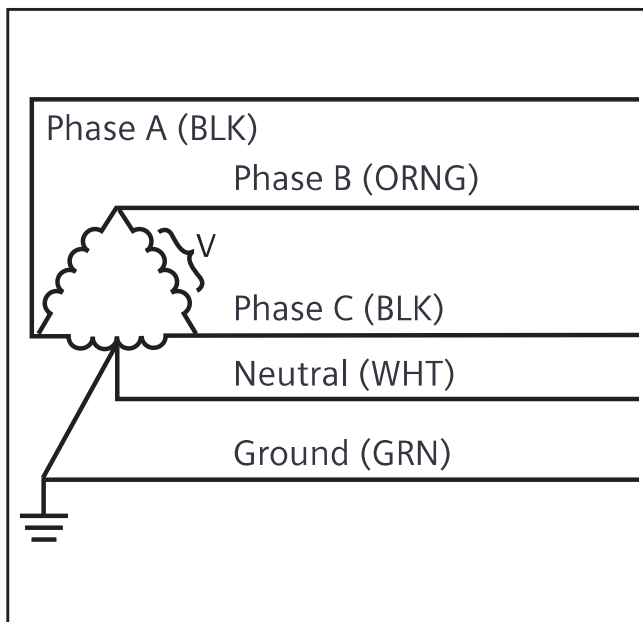


Figure 3

3 Hots (B High), 1 Neu, 1 Grnd

Delta & HRG WYE

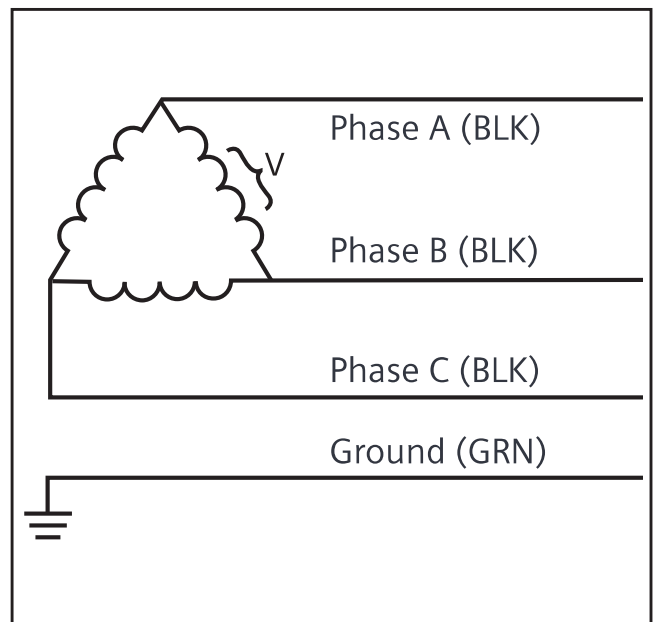
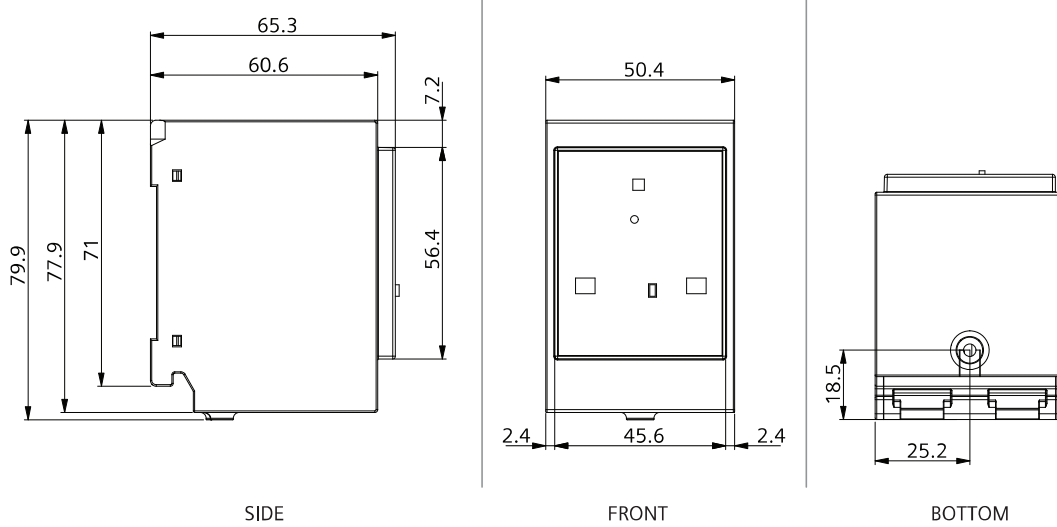


Figure 4

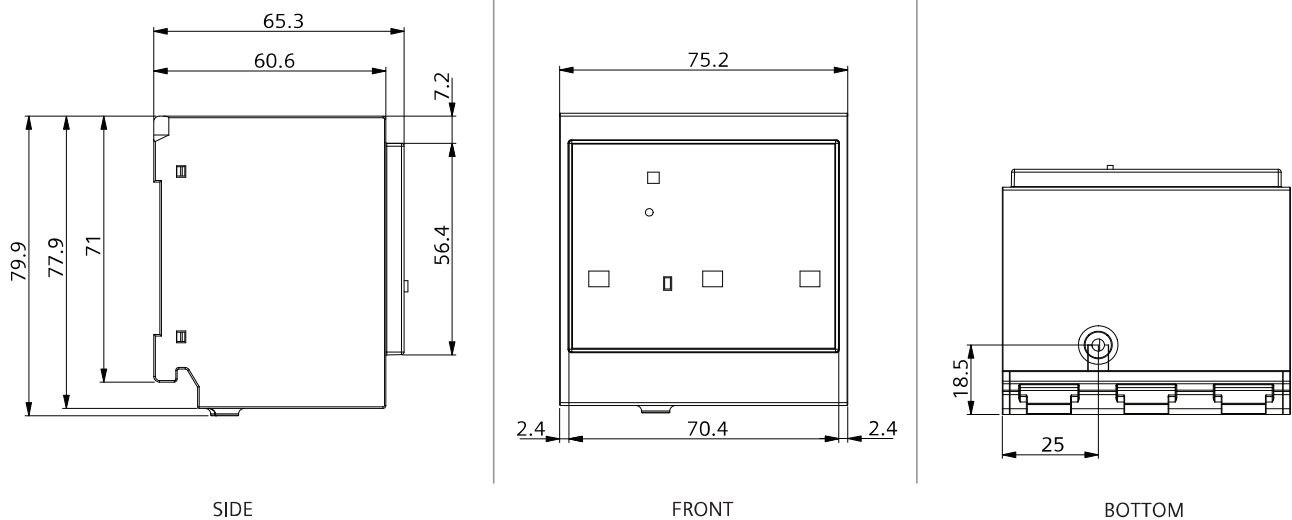
3 Hots, 1 Grnd

Product diagrams (in millimeters)

2-pole: QSPD2A065



3-pole: QSPD3x065



Published by
Siemens Canada Limited

Electrical Products
1577 North Service Road East
Oakville, ON L6H 0H6

Customer Interaction Centre
(888) 303-3353
cic.ca@siemens.com

Printed in Canada
Order No. SI-EP-1687
All Rights Reserved
© 2020, Siemens Canada Limited

www.siemens.ca/powerdistribution

The technical data presented in this document is based on an actual case or on as-designed parameters, and therefore should not be relied upon for any specific application and does not constitute a performance guarantee for any projects. Actual results are dependent on variable conditions. Accordingly, Siemens does not make representations, warranties, or assurances as to the accuracy, currency or completeness of the content contained herein. If requested, we will provide specific technical data or specifications with respect to any customer's particular applications. Our company is constantly involved in engineering and development. For that reason, we reserve the right to modify, at any time, the technology and product specifications contained herein.